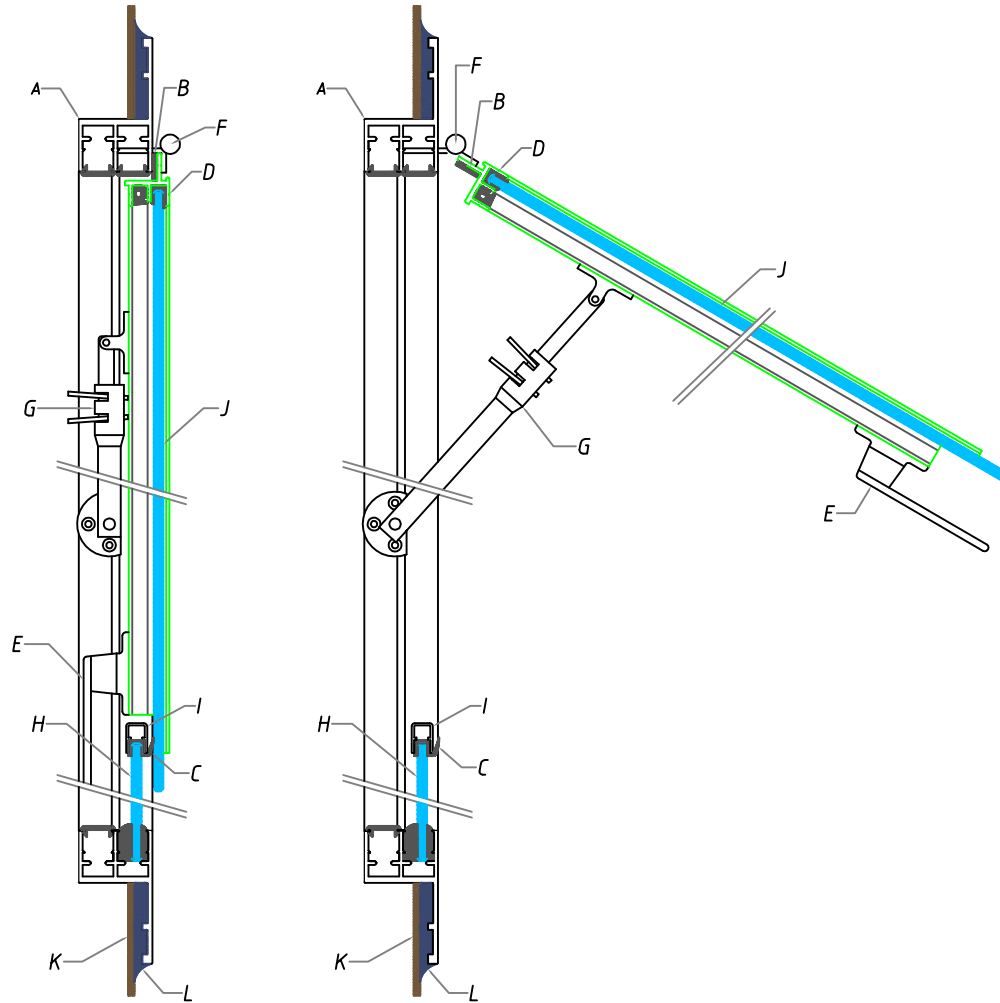


SIDE PROFILE @ 3:1 Scale.



A	OUTER FRAME - S/2 D/G SLIDER SECTION.
B	EPDM FOAM SEAL
C	RUBBER OVERLAP SEAL
D	SASH FRAME
E	LATCHING 'MELRON' TYPE HANDLE.
F	ALUMINIUM HINGES.
G	ADJUSTABLE 'PINCH' STAYS.
H	BOTTOM FIXED GLASS - 6MM SHOWN.
I	BOTTOM FIXED GLASS 'CAP'.
J	TOP HINGED GLASS - 6MM SHOWN.
K	BULKHEAD - 4MM SHOWN.
L	SIKAFLEX / BACKFILL.
M	
N	
O	
P	
Q	
R	
S	
T	
U	
V	
W	

REV.	AMENDMENT	DRAWN	DATE
A	-	-	-

USE DIMENSIONS - DO NOT SCALE DRAWING
IF IN DOUBT - ASK WINDOWS WEST

Windows West Pty. Ltd.

8 Redemptora Road
Henderson, WA 6166
AUSTRALIA

Phone: +61 8 9437 9277
Fax: +61 8 9437 9080
E-mail: sales@windowswest.com.au
Web: www.windowswest.com.au
ACN. 070 345 758

COPYRIGHT: THIS DRAWING IS THE EXCLUSIVE PROPERTY OF WINDOWS WEST PTY. LTD.
AND MUST NOT BE REPRODUCED IN WHOLE OR IN PART WITHOUT PERMISSION
IN WRITING.

© 2004. All Rights Reserved.

CLIENT			TITLE	
PROJECT			S/2 'GEB0 STYLE' FORWARD OPENER	
DRAWN			SCALE	DWG No
P.M.	14.09.07			Custom. (Sht. 1 of 2)
CHECKED	P.M.	14.09.07	JOB NO.:	Rev:
ISSUED	-	-	-	A
SUPERCEDED	-	-		