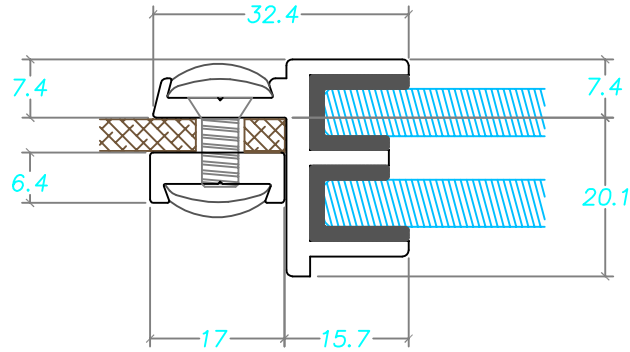


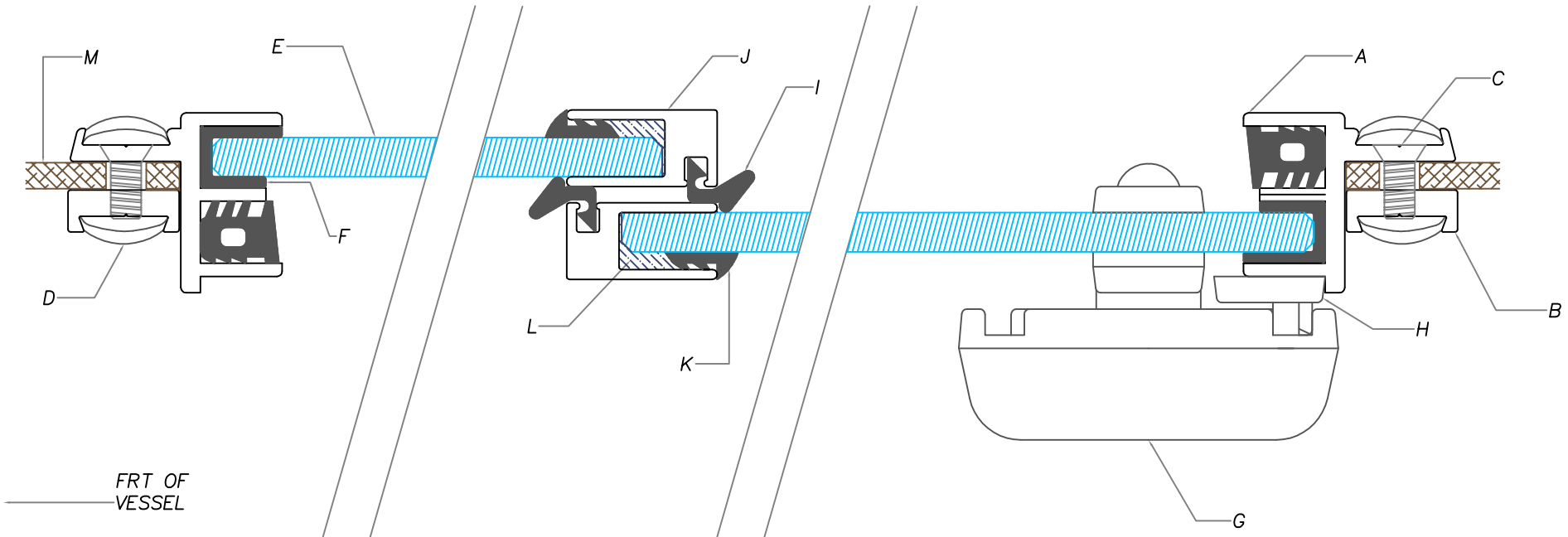
GENERAL DIMENSIONS.

Scale APPRX 1:1 @ A4



A	MK2 SLIDING FRAME 6060T1 ALUMINIUM
B	MK2 'TRIM' FRAME 6060T1 ALUMINIUM
C	3/16" 316 S/S FRAME FIXING SCREWS
D	TRIM INSERTION P.V.C.
E	4 - 6mm TSG (Toughened Safety Glass.)
F	NYLON WEBBING TRACK
G	TWIST PVC HANDLE
H	PVC HANDLE STRIKER
I	'QLON' MEMORY VINYL SEAL
J	OVERLAP ALUMINIUM CAPPING SEAL
K	PVC FIXING WEDGE
L	NEUTRAL CURE SILICONE (GASKET.)
M	BULK HEAD - SHOWN AT 4mm HERE.

'Rear' SLIDING ASSY.



REV.	AMENDMENT	DRAWN	DATE
A	-	-	-

USE DIMENSIONS - DO NOT SCALE DRAWING
IF IN DOUBT - ASK WINDOWS WEST

Windows West

8 Redemptora Road
Henderson, WA 6166
AUSTRALIA

Phone: +61 8 9437 9277
Fax: +61 8 9437 9080
E-mail: sales@windowswest.com.au

ACN. 070 345 758

CLIENT		-		TITLE		MK2 SLIDER & TRIM	
PROJECT		WINDOWS WEST STD SPEC SHEET		SUB-TITLE		REAR SLIDING ASSY.	
DRAWN	P.M.	3.12.06	ISSUED	-	SCALE	DWG No	WW-MK2-002
CHECKED	P.M.	3.12.06	SUPERCEDED	-	JOB NO.:	Rev:	(Sht. 1 of 1)
COPYRIGHT: THIS DRAWING IS THE EXCLUSIVE PROPERTY OF WINDOWS WEST PTY. LTD. AND MUST NOT BE REPRODUCED IN WHOLE OR IN PART WITHOUT PERMISSION IN WRITING.				-		0	
© 2004. All Rights Reserved.							