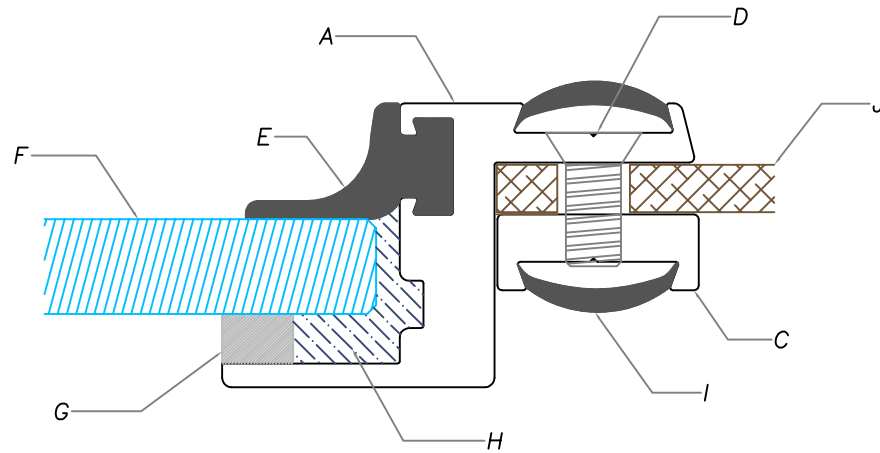
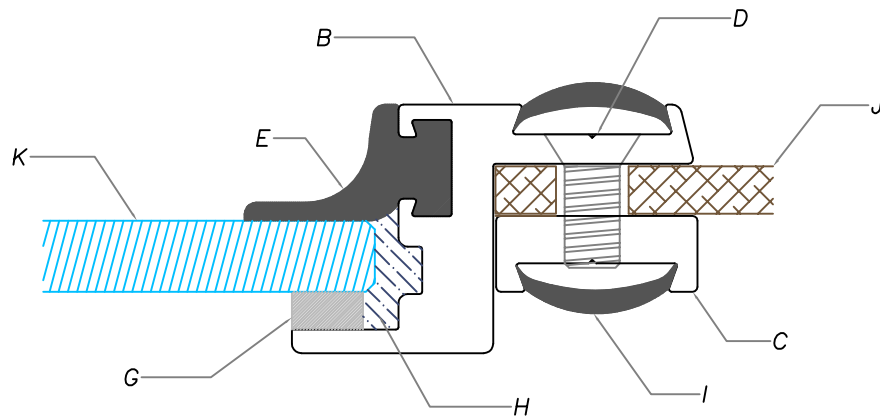


8-10mm GLAZING ASSY.

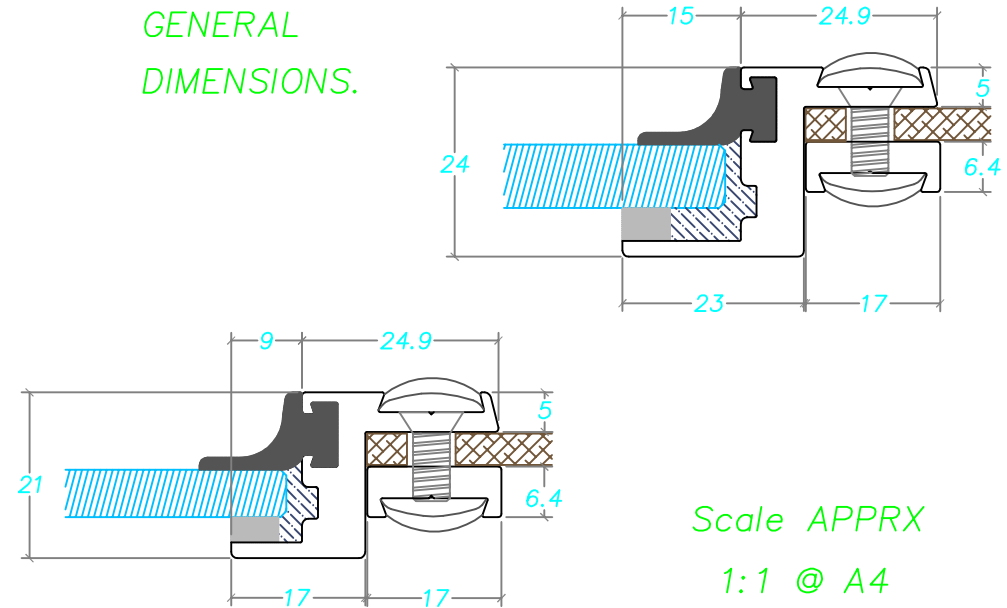


A	Mk2 S/H/F FRAME 6060T1 ALUMINIUM
B	Mk2 H/F FRAME 6060T1 ALUMINIUM
C	Mk2 H/F TRIM 6060T1 ALUMINIUM
D	3/16 BSB 316 S/S FRAME FIXING SCREWS
E	E.P.D.M GLAZING WEDGE
F	8 - 10mm TSG (Toughened Safety Glass.)
G	HIGH DENSITY FOAM GLAZING TAPE
H	NEUTRAL CURE SILICONE (GASKET.)
I	TRIM INSERTION P.V.C.
J	BULK HEAD - SHOWN AT 4mm HERE.
K	6mm TSG

6mm GLAZING ASSY.



GENERAL DIMENSIONS.



Scale APPRX
1:1 @ A4

REV.	AMENDMENT	DRAWN	DATE
A	-	-	-
USE DIMENSIONS - DO NOT SCALE DRAWING IF IN DOUBT - ASK WINDOWS WEST			

Windows West

8 Redemptora Road
Henderson, WA 6166
AUSTRALIA

Phone: +61 8 9437 9277
Fax: +61 8 9437 9080
E-mail: sales@windowswest.com.au

ACN. 070 345 758

CLIENT -

PROJECT
WINDOWS WEST STD SPEC SHEET

DRAWN P.M. 14.10.04
CHECKED P.M. 14.10.04
ISSUED - -
SUPERCEDED - -

TITLE
MARK 2 FRAME (Mk2)

SUB-TITLE
SHF/HF/TRIM ASSY.

SCALE - DWG No
WW-Mk2-001
(Sht. 1 of 1)

JOB NO.: - Rev: 0

COPYRIGHT: THIS DRAWING IS THE EXCLUSIVE PROPERTY OF WINDOWS WEST PTY. LTD. AND MUST NOT BE REPRODUCED IN WHOLE OR IN PART WITHOUT PERMISSION IN WRITING. © 2004. All Rights Reserved.