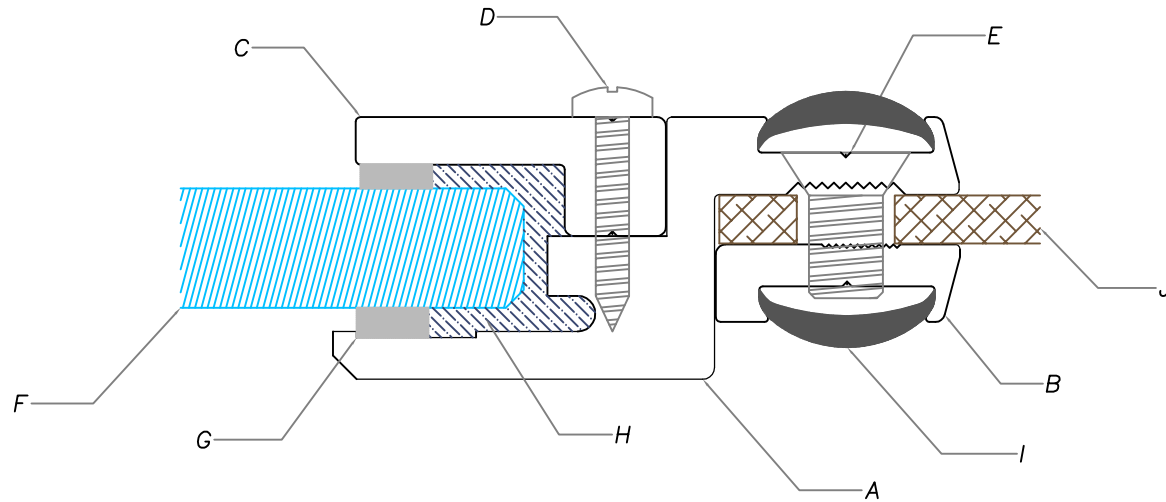
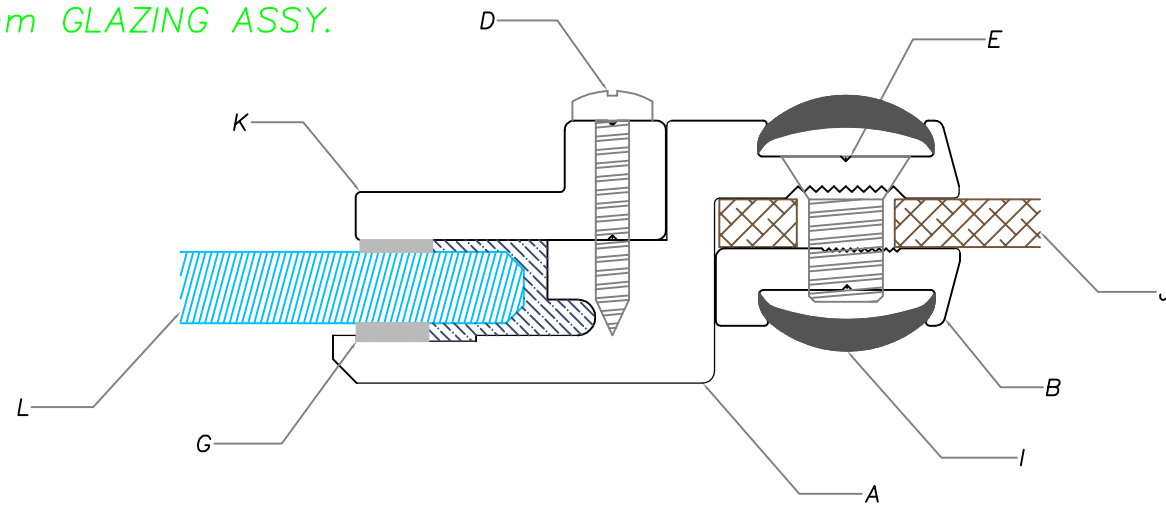


8-10mm GLAZING ASSY.

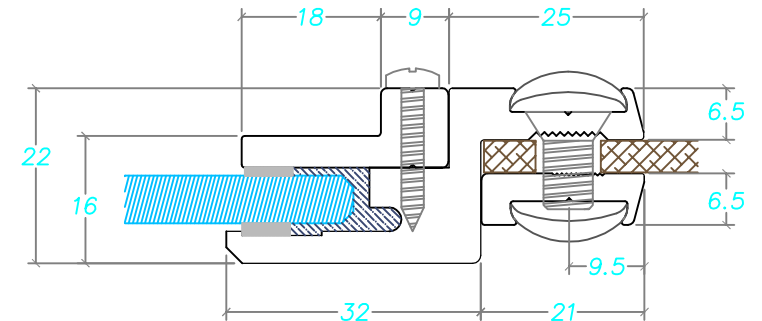


A	M.G. MAIN FRAME 6060T1 ALUMINIUM
B	M.G. 'TRIM' FRAME 6060T1 ALUMINIUM
C	M.G. 'BEAD' FRAME 6060T1 ALUMINIUM
D	6gg 316 S/S BEAD FIXING SCREWS
E	1/4" BSB 316 S/S FRAME FIXING SCREWS
F	10mm TSG (Toughened Safety Glass.)
G	HIGH DENSITY FOAM GLAZING TAPE
H	NEUTRAL CURE SILICONE (GASKET.)
I	TRIM INSERTION P.V.C.
J	BULK HEAD - SHOWN AT 4mm HERE.
K	M.G. 'BEAD' FRAME 6060T1 ALUMINIUM
L	6mm TSG

6mm GLAZING ASSY.



GENERAL DIMENSIONS.



Scale APPRX 1:1 @ A4

REV.	AMENDMENT	DRAWN	DATE
A	-	-	-

USE DIMENSIONS - DO NOT SCALE DRAWING
IF IN DOUBT - ASK WINDOWS WEST

Windows West

8 Redemptora Road
Henderson, WA 6166
AUSTRALIA

Phone: +61 8 9437 9277

Fax: +61 8 9437 9080

E-mail: sales@windowswest.com.au

ACN. 070 345 758

COPYRIGHT: THIS DRAWING IS THE EXCLUSIVE PROPERTY OF WINDOWS WEST PTY. LTD.
AND MUST NOT BE REPRODUCED IN WHOLE OR IN PART WITHOUT
PERMISSION IN WRITING.

© 2004. All Rights Reserved.

CLIENT			-	
PROJECT			-	
WINDOWS WEST STD SPEC SHEET			TITLE METAL GLAZE (M.G.)	
SUB-TITLE FRAME/BEAD/TRIM ASSY.			SCALE	
DRAWN	P.M.	14.10.04	DWG No WW-MG-001 (Sht. 1 of 1)	
CHECKED	P.M.	14.10.04	JOB NO.:	
ISSUED	-	-	Rev 0	
SUPERCEDED	-	-	-	